

Cambridge Planter 100x50

IMPORTANT, RETAIN FOR FUTURE REFERENCE: READ CAREFULLY.

Check all parts are present prior to assembly.

- Always pre-drill timber to avoid splitting.
- The timber in this product is pressure treated to ensure longevity and protection against rot.
- This may leave colour variations, but these will even out as the moisture content stabilises.
- Timber is a natural material and will shrink and swell as a result of varying moisture content.
- Keep all plastic bags and parts away from children.

Technical Help line: 0333 7777 089 8:30am - 5.00pm Monday to Friday

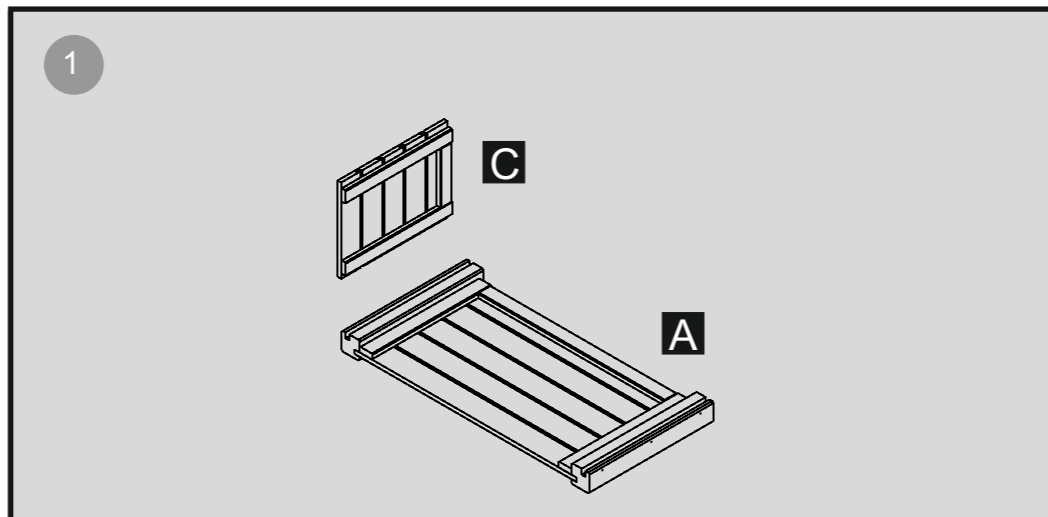
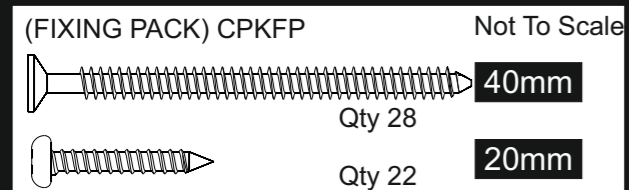
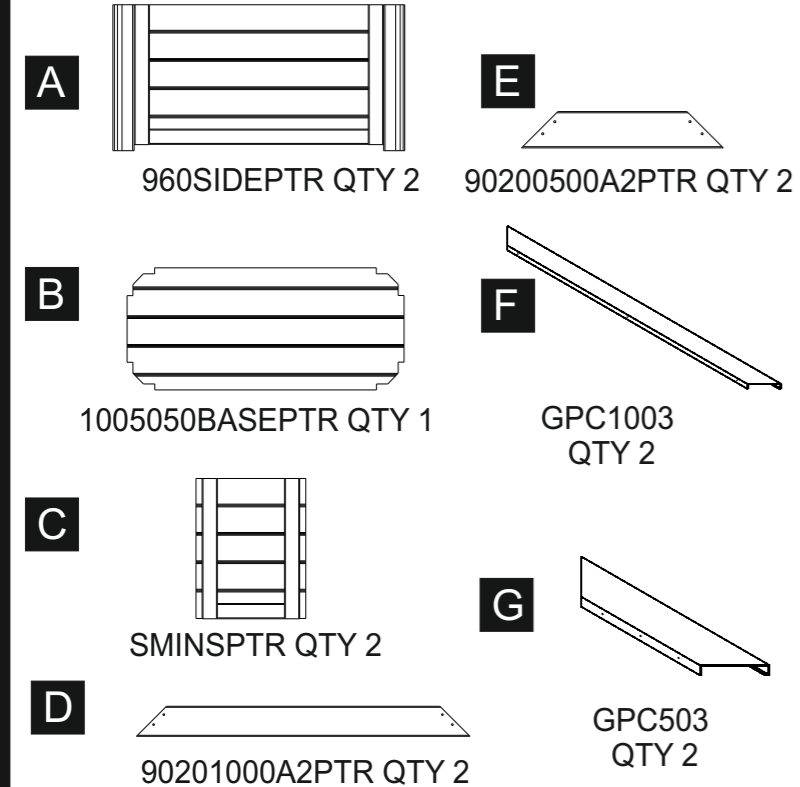
In line with your statutory rights, please check all parts prior to assembly, as assembly of damaged parts may be deemed to be acceptance and this may affect the remedies you are entitled to. If the product is not constructed in accordance with the instructions, or is altered in anyway (e.g. painted), the manufacturer cannot be held liable for any resulting damage.

This article contains biocidal products to give protection against wood destroying insects & wood rotting fungi. Contents may vary. May contain: Basic copper carbonate (Copper (II) carbonate - Copper (II) hydroxide (1:1), Cupric oxide, Copper hydroxide carbonate, oxyethyl, ammoniumpropionate, Copper HDO, Propiconazole, Tebuconazole, Boric acid, Benzalkonium chloride. Wear gloves when handling freshly treated wood. Avoid breathing dust when cutting treated or untreated wood. Dispose of off-cuts responsibly - do not burn.

REQUIRED TOOLS : (NOT SUPPLIED)

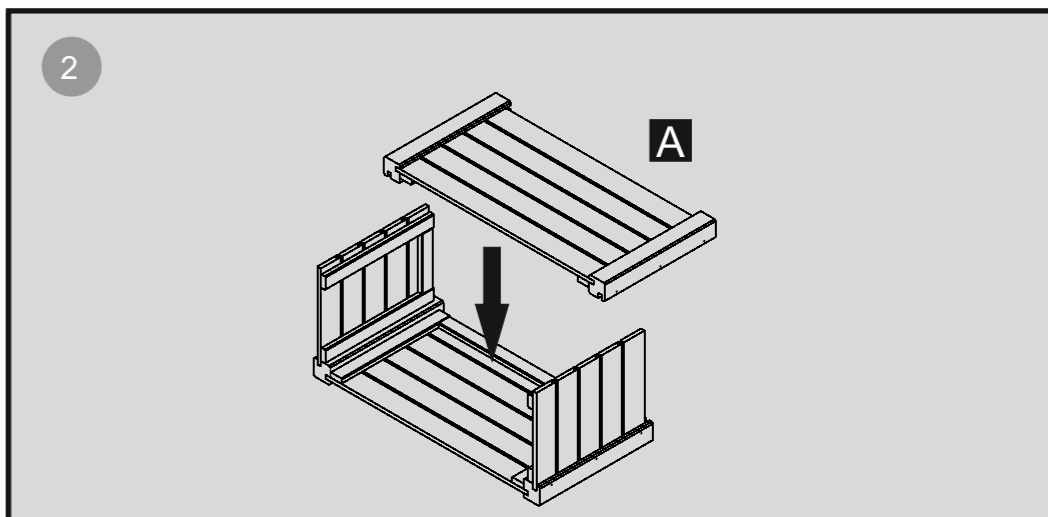


PARTS:



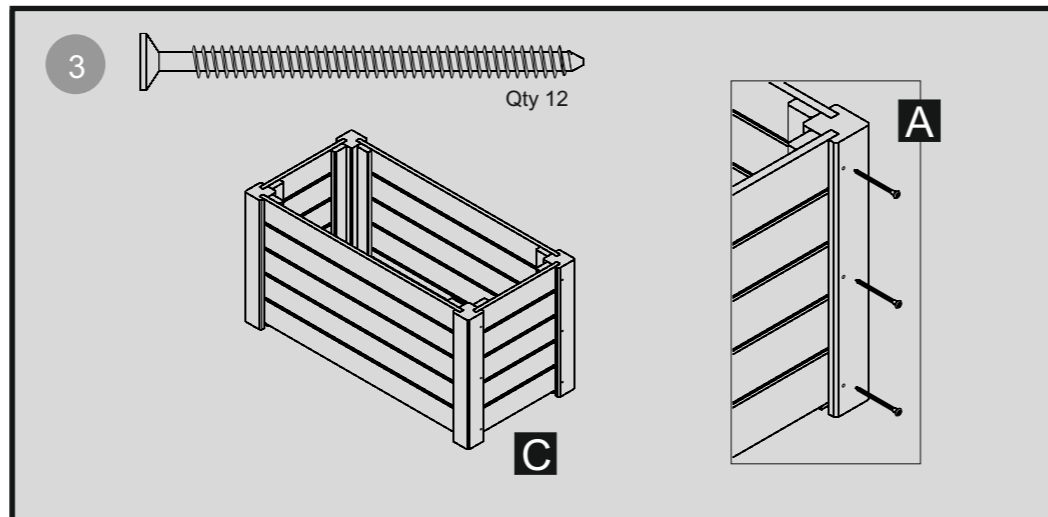
1 Place the small insert into the side as shown.

Use the piece of wood from the packing to place against the product when hammering into position so as not to damage the planter.

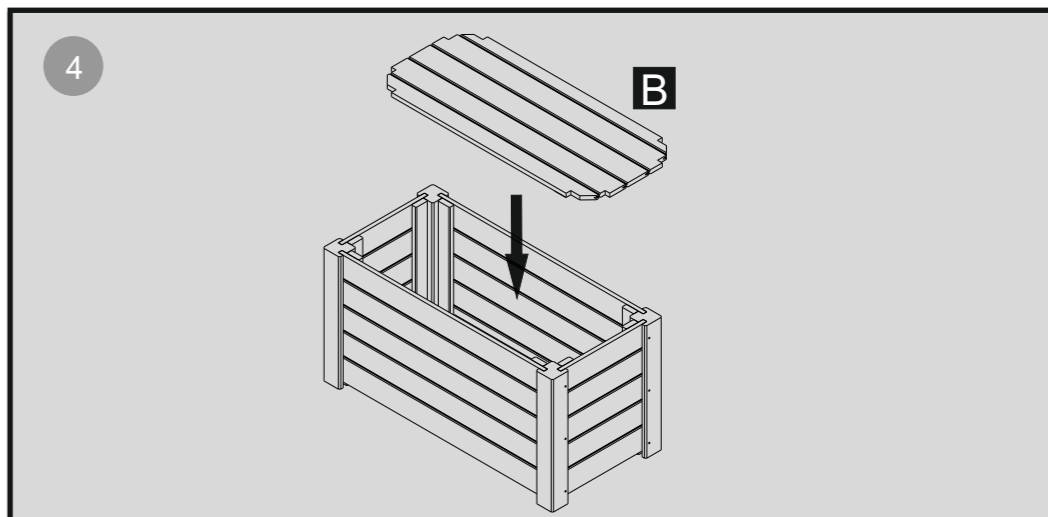


2 Place both sides together and position so that all sides are flush and secure.

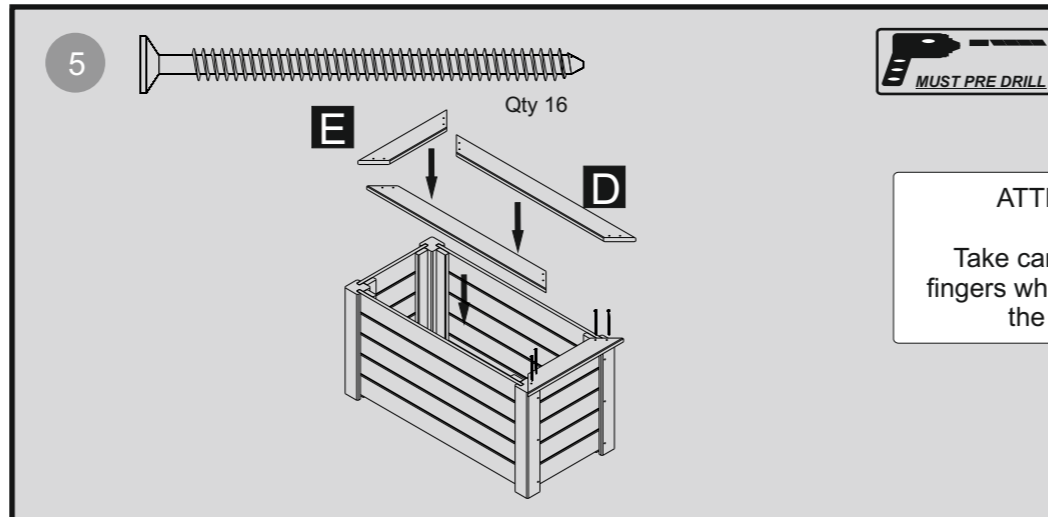
Use the piece of wood from the packing to place against the product when hammering into position so as not to damage the planter.



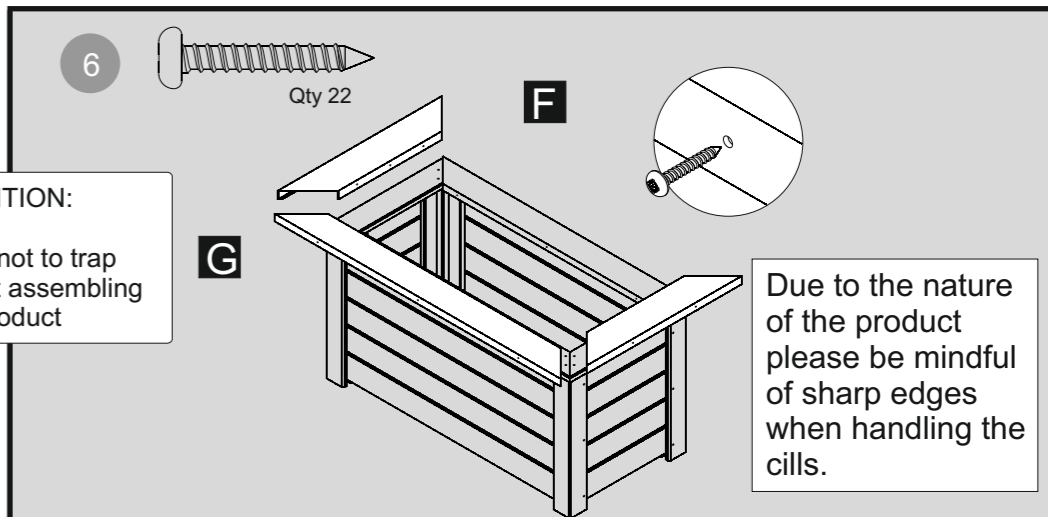
3 Pre drill holes as shown on the side. Secure the sides to the small insert



4 Place the base inside the planter so that it sits on the battens



5 Position the wooden cills before fixing and take time to make sure that these line up correctly and are square. There should be an overhang of approximately 20mm from the posts. Once in place pre drill the holes as shown and fix.



6 Wrap the metal cills over the top of the wooden cills you have previously fixed. Make sure these line up correctly before fixing in place using the domed head screws in the holes provided.



ATTENTION:
Take care not to trap fingers whilst assembling the product

Due to the nature of the product please be mindful of sharp edges when handling the cills.