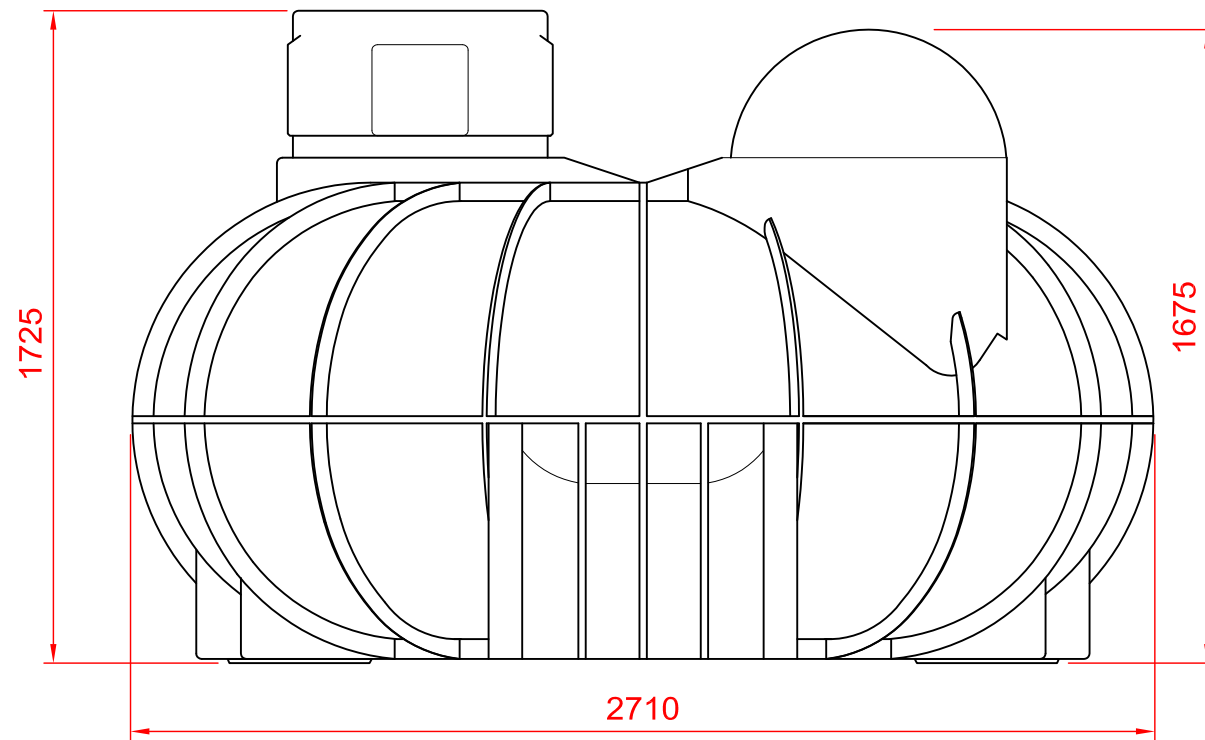


SIDE ELEVATION



END ELEVATION

© Atlantis Tanks Group Ltd. 2020



Title
10000 Litre Puratank
Elevations

Scale
1:20
Drawing No.
PUR-10000-02

Revisions
-